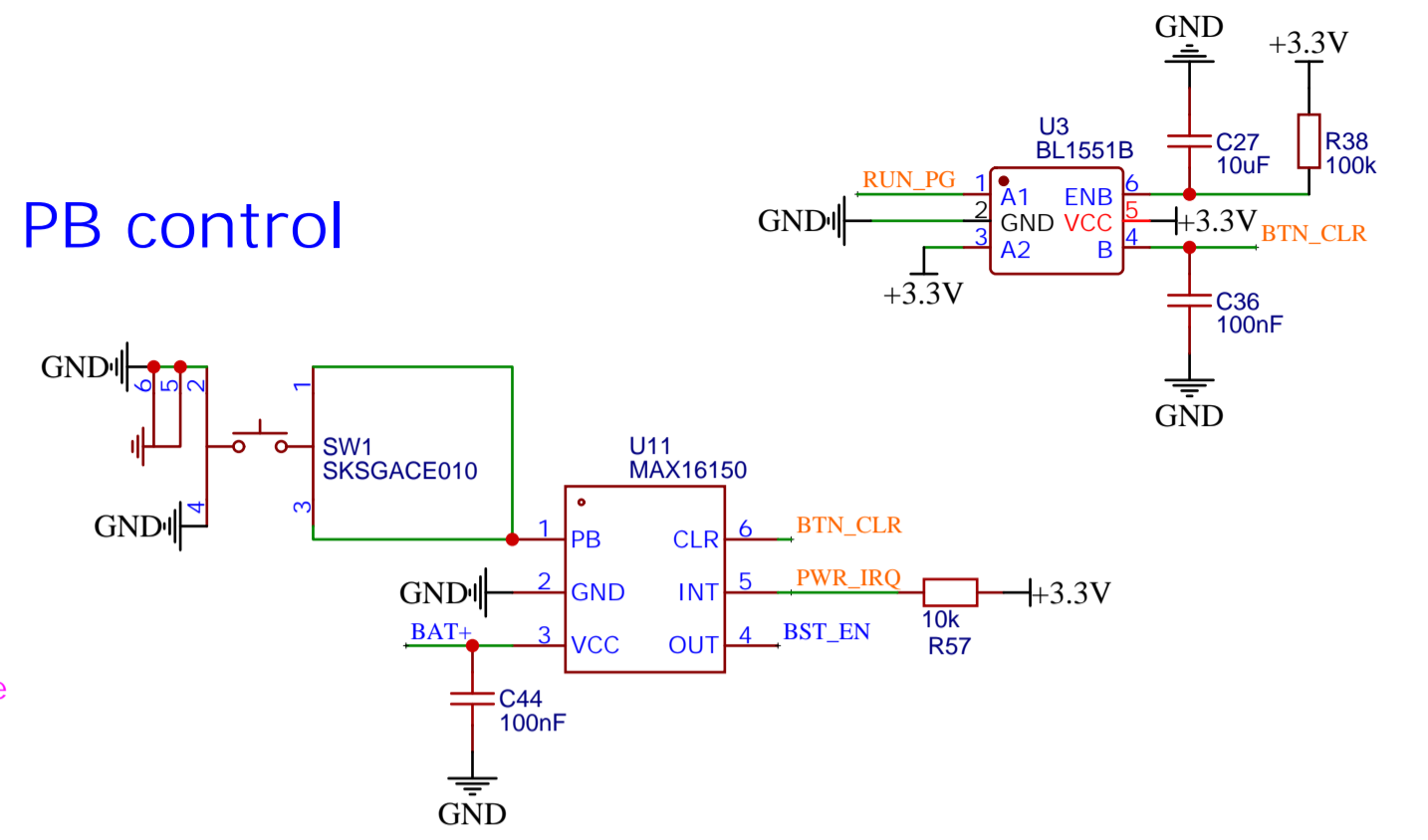
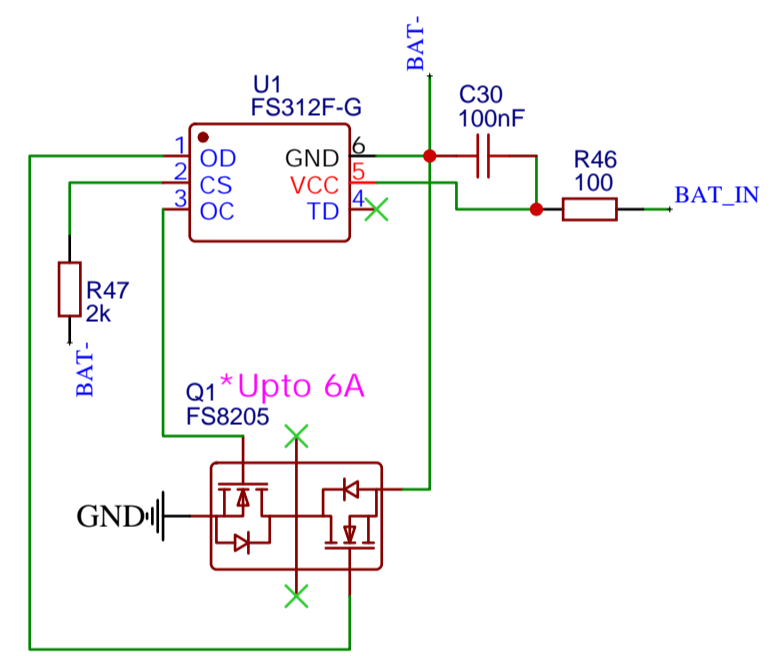


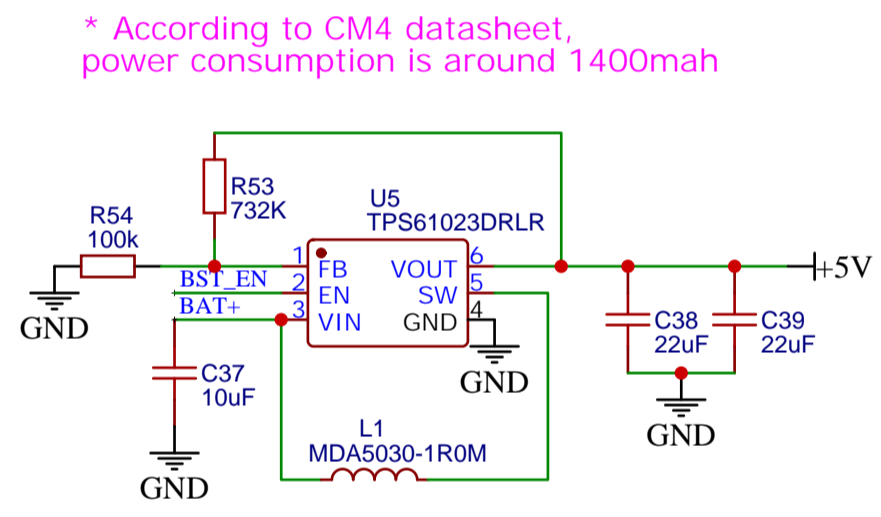
PB control



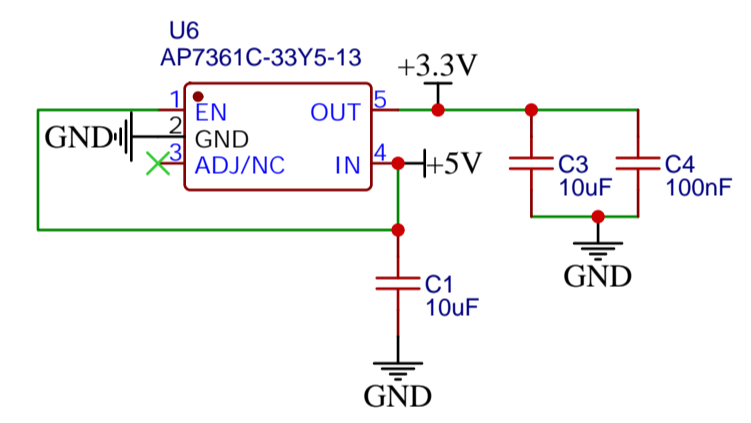
Battery protection



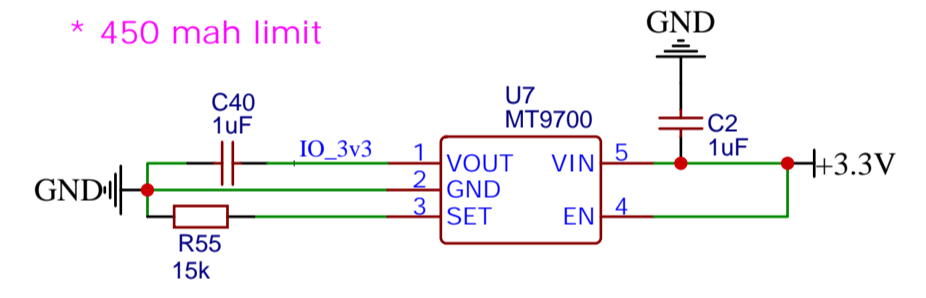
5v Boost



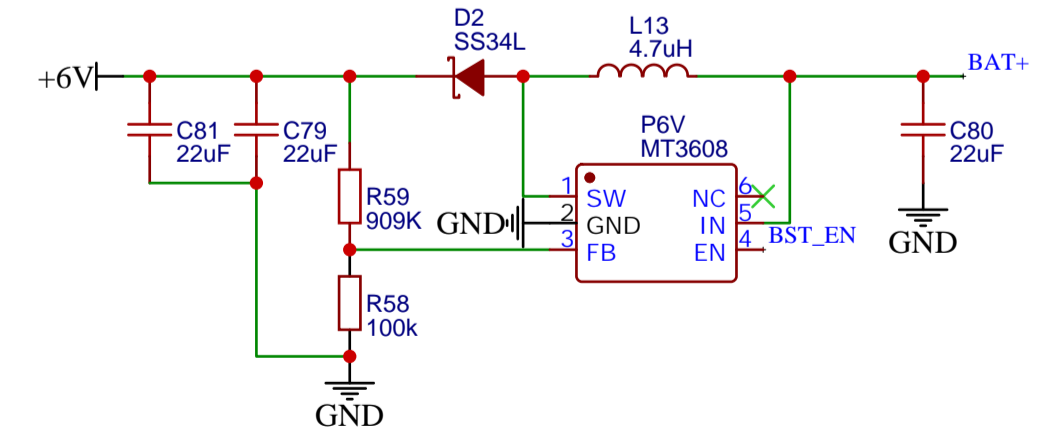
3v3 LDO



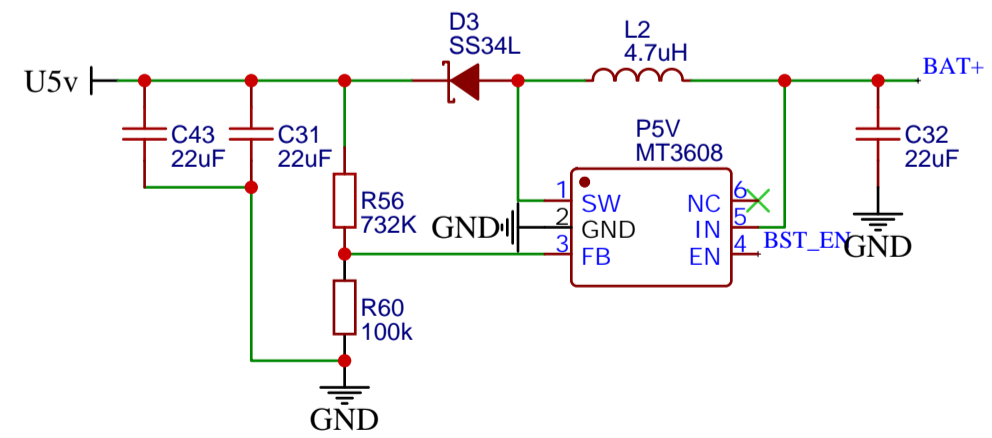
3v user protection



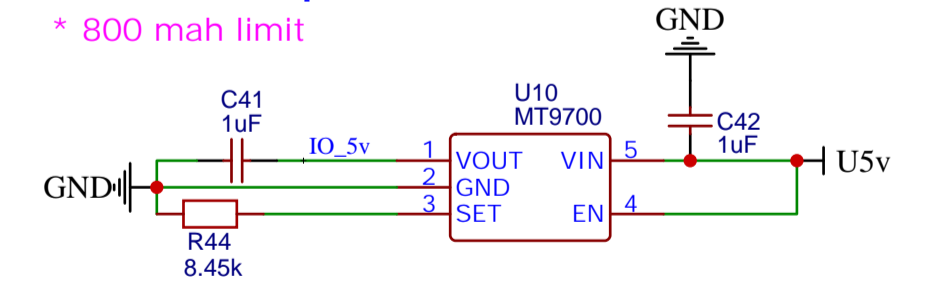
6V motor



5V user & servo



5v user protection



TITLE:	DOLY Motherboard - Power	REV: 1.0
	Company: Limitbit Technology Inc	Sheet: 1/1
	Date: 2023-02	Drawn By: Levent Erenler